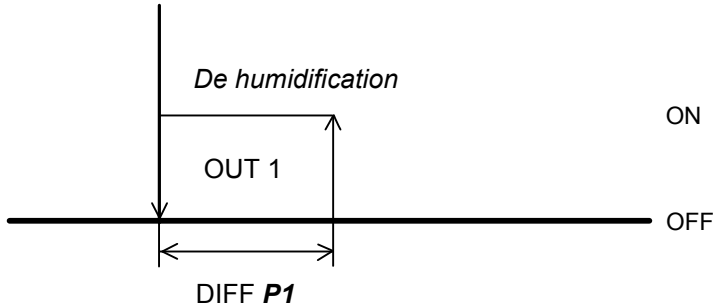
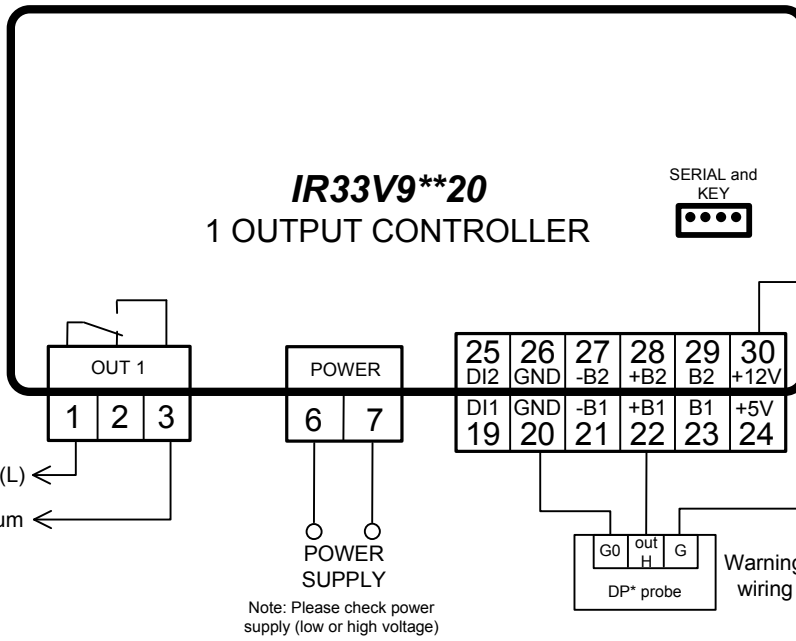


SETPOINT ST1

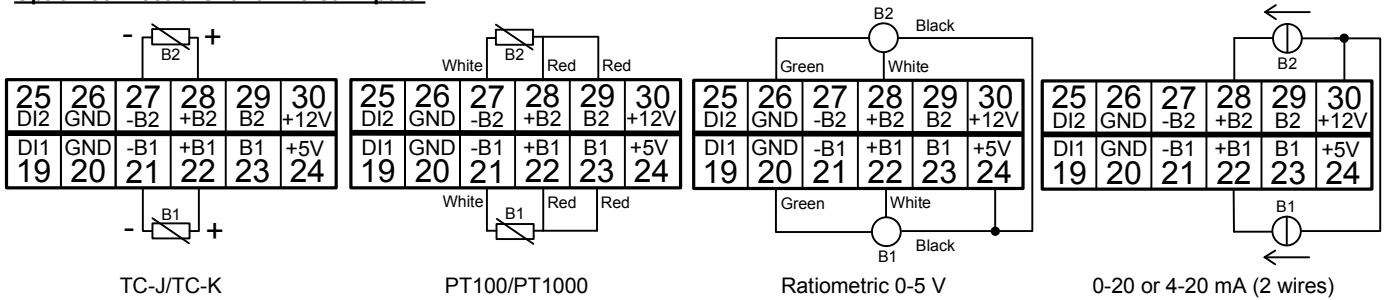


PARAMETERS

C0 = 1*
St1 = Setpoint (cut out)
P1 = Differential
C13 = 16 (4-20mA input)
C15 = 0
C16 = 100
(Range applied to all CAREL rH sensors)
Note : * It is important that CO = 1 as this defines the mode of operation ie. 1 De hum



Option connections for universal inputs:



Documentation

+302235441 Brochure
+030220801 Installation manual
+0500008ML Technical leaflet
+0500010ML Technical leaflet

DRAWING NUMBER: IR33V9-1DH
Rev 1.0

Part numbers

IR33V9HR20 Panel mount 1 stage controller, 230 Vac
IR33V9MR20 Panel mount 1 stage controller, 24 Vac/dc
IROPZ48500 RS485 serial card (for supervisory)
DPWC111000 Wall mount humidity (4-20mA) and temp (NTC) sensor
RLY2402HP Relay 240V coil 2HP 240V switching